

Conventional Manual Call Point



Product overview

Product	Conventional Manual Call Point
Part No.	SC2900-001

Product information

The Conventional Manual Call Point has been designed to operate on a zone of conventional fire detection devices. An alarm is initiated by pressing the resettable element. An activation status is indicated through the rotation of the resettable element displaying yellow and black indication bars and an illuminated solid red LED. The manual call point can be easily reset from the front using the supplied reset key.

The Conventional Manual Call Point is supplied with both 470Ω resistor and normally open clean contact electrical options. LED illuminated red only when the manual call point is operated in 470Ω mode.

- Resettable operating element
- Easy access, front reset mechanism
- Ergonomic reset key
- EN 54-11 certified
- 170° viewable LED
- Suitable for flush or surface mounting
- Optional hinged cover

Technical data

All data is supplied subject to change without notice. Specifications are typical at 24 V, 25°C and 50% RH unless otherwise stated.

Supply Voltage	18 V - 30 V dc
Switch Contact Type	Dry contact only
Switch Contact Rating	2 A
Operating temperature	-40 °C to +70 °C
Humidity (no condensation or icing)	0% to 95% RH
IP Rating	IP44
Approvals and standards	EN 54-11, CPR & TUV-Mark
Dimensions	90 mm height x 90 mm width x 63 mm depth
Weight	150 g
Material	Red flame-retardant polycarbonate

Electrical Consideration

The Conventional Manual Call Point has a contact rating of 30 V DC at 2A.

Mechanical Construction

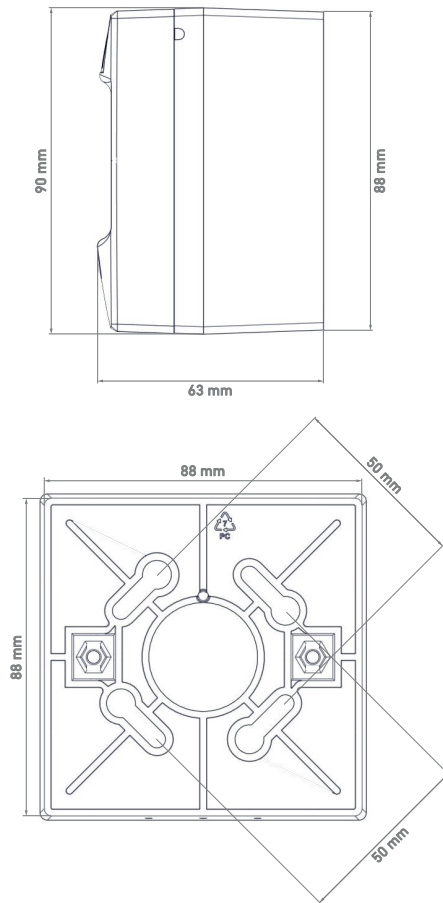
The component parts of the Conventional Manual Call Point are moulded in a robust fire-retardant polycarbonate or ABS.

EMC Directive 2014/30/EU

The Conventional Manual Call Point complies with the essential requirements of the EMC Directive 2014/30/EU, provided, that it is used as described in this datasheet.

A copy of the Declaration of Conformity is available from Apollo on request.

Conformity of the Conventional Manual Call Point with the EMC directive does not confer compliance with the directive on any apparatus or systems connected to it.

Conventional Manual Call Point with LED Dimensional Drawing**FIREFLY TECHNOLOGY (HONG KONG) CO., LTD**

Address: Room 2914C, 29th Floor, Ho King Commercial Centre, 2-16 Fa Yuen Street, Mong Kok, Kowloon, Hong Kong

Tel: 00852 4613 9499

Email: Firely@fire-fly.hk

Website: <http://www.fire-fly.hk>