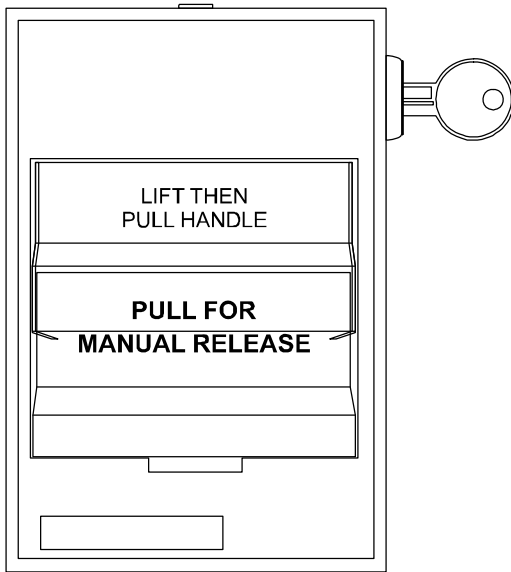


Product diagram



Product description

The Double Action Manual Release Station is a normally-open, dry contact signal initiating device that requires two actions by the user. Two contacts are provided.

To initiate the release of a fire suppression agent:

1. Raise the upper door marked, "LIFT THEN PULL HANDLE."
2. Pull the release handle to initiate the release.

Specifications

Ratings

- 1.5 A @ 30 Vac
- 1 A @ 28 Vdc

Switch contacts: 2-pole normally-open

Maximum wire size: 12 AWG

Construction: High-impact plastic with steel backplate

Color: Yellow with black on yellow markings

Operating mechanism: double-action pull lever

Shipping weight: 1.0 lb (0.4 kg)

Mounting

- North American 2.5 in (64 mm) deep 1-gang box
- Standard 4 in square box, 1.5 in (38 mm) deep with 1-gang cover

Replacement glass rods

- US: P/N 276-GLR (pkg 20 rods)
- Canada: P/N 276-GLR (pkg 20 rods)

Installation instructions

To mount the release station:

1. Insert the key into the cover lock and rotate the key to open the release station (Figure 1).
2. Pull the cover away from the backplate and let it hang down.
3. Make the wiring connections shown in the wiring diagram (Figure 5).
4. Verify that all field wiring is free of opens, shorts, and ground faults.
5. Mount the backplate to electrical box with the 6-32 x 1/2 in screws provided.

To install a glass rod:

1. Install the glass rod in the mounting brackets inside the front cover of the release station (Figure 2).
2. Set the toggle switch on the backplate to the normal position (Figure 3).
3. Lift the front cover over the backplate.
4. Rotate the cover lock to secure the front cover to the backplate (Figure 4).

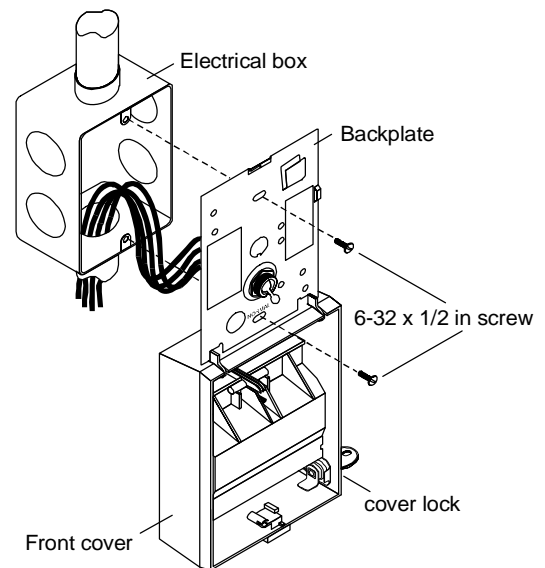


Figure 1: Mounting the release station

WARNINGS: Disconnect power to cabinets before installing or removing components. Failure to do so may result in serious injury or loss of life.

This device will not operate without electrical power. As fires frequently cause power interruption, we suggest you discuss further safeguards with your local fire protection specialist.

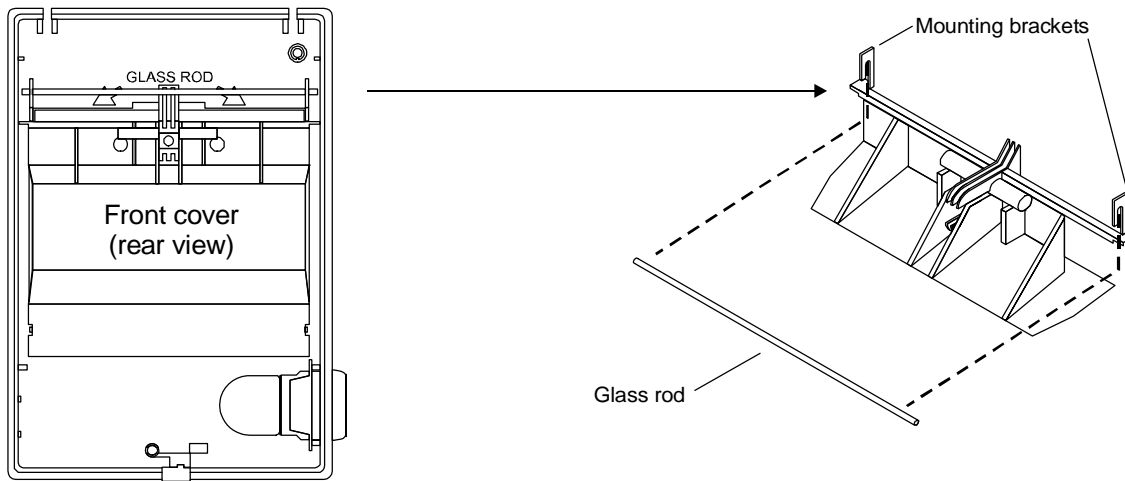


Figure 2: Glass rod installation

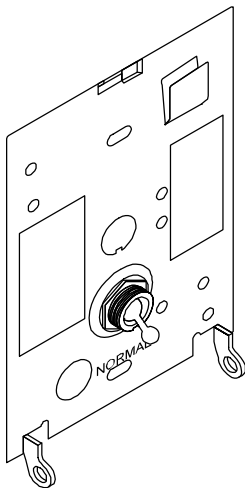


Figure 3: Toggle switch in normal position

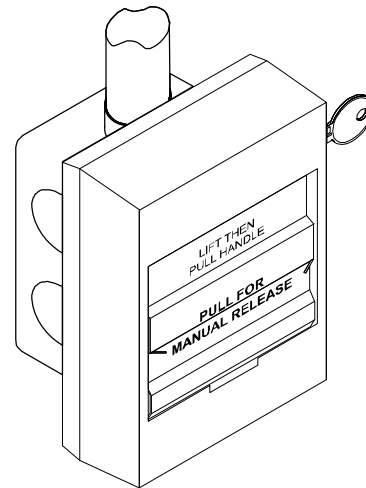


Figure 4: Mounted releasing station

Wiring diagram

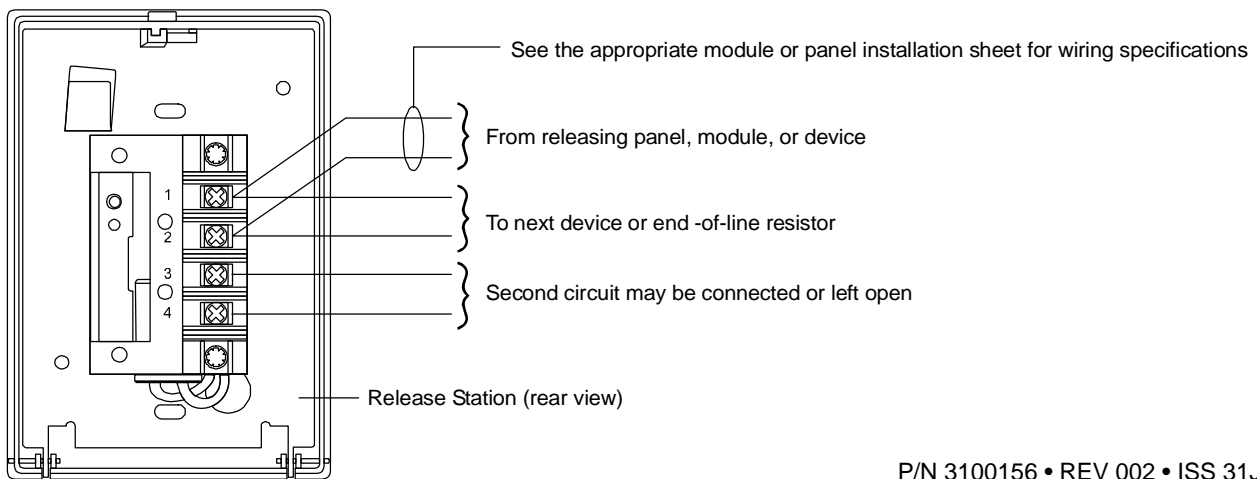


Figure 5: Wiring terminals as seen from rear view