

# GES3 / GEC3 Series

## Selectable Candela Evacuation Signals

12 VDC and 24 VDC Commander3 Strobe and Horn/Strobe

24 units per carton, 28 pounds per carton

### Applications

The Commander3 Series is a low profile strobe and horn/strobe combination that offers dependable audible and visual alarms and the absolute lowest current available.

The GE3 Series 24 VDC offers tamperproof field selectable candela options of 15, 30, 60, 75, and 110 candela. The 12 VDC offers tamperproof field selectable candela options of 15, 30, 60, and 75 candela. The GEC3 horn/strobe offers a continuous or synchable temporal 3 in 2400Hz, mechanical and chime as well as a whoop tone. All tones are easy for the professional to change in the field by the use of switches.

The Commander3 Series is shipped with a standard 4" metal mounting plate which incorporates the popular Super-Slide® feature that allows the installer to easily test for supervision. The product also features a locking mechanism which secures the product to the bracket without any screws showing. The Commander3 also features the patented Checkmate® instant voltage verification feature which allows the installer to check the voltage drop draw and match it to the blueprint.

The GE3 Series appliances are ANSI/UL 464, ANSI/UL 1971, CAN/ULC S525 (24 VDC only) and/or CAN/ULC S526 (24 VDC only), is listed for use with fire protective systems and are warranted for three years from date of purchase.

### Standard Features

- Nominal voltage 12 VDC and 24 VDC
- 24 VDC field selectable candelas: 15, 30, 60, 75 & 110
- 12 VDC field selectable candelas: 15, 30, 60 & 75
- Unit Dimensions: 5" (12.7 cm) high x 4.5" (11.43 cm) wide x 2.5" (6.35 cm) deep
- Super-Slide® Bracket, Ease of Supervision Testing
- Checkmate® Instant Voltage Verification
- Prewire entire system, install mounting bracket, then install signals
- Documented lower installation and operating costs
- Input terminals accept 12 to 18 AWG
- Horn/strobe switch selection for high or low dBA
- Horn/strobe switch for 2400 Hz, mechanical, chime and whoop tones
- Horn/strobe switch for continuous or temporal 3 (not available on whoop tone)
- Synchronize strobe and/or horn with Gentex AVSM Control Module
- Silence audible while visual appliance will remain flashing
- Tamperproof re-entrant style grill and locking screw (optional use)
- Surface mount with the GSB (Gentex Surface Mount Box)
- Faceplate available in red or off-white
- Wall mount



### Product Listings



- ANSI/UL 464 and ANSI/UL 1971 Listed
- CAN/ULC S525 and/or CAN/ULC S526 Listed (24 VDC only)
- CSFM: 7135-0569:122 (GEC3-24 & GEH-24)  
7125-0569:123 (GES3-24)  
7125-0569:129 (GES3-12)  
7135-0569:130 (GEC3-12 & GEH-12)
- MEA: 285-91-E (GEC3-24 & GES3-24)  
580-06-E (GEC3-12 & GES3-12)

### Patents

- 7,375,617 May 20, 2008

### Product Compliance

- NFPA 72
- Americans with Disabilities Act (ADA)
- IBC/IFC/IRC
- Quality Management System is certified to: ISO 9001:2008

**GES3 12 VDC / GES 24 VDC Selectable Candela, Low Profile Evacuation Strobe**

Model	Part Number	Voltage (VDC)	Candela
GES3-12WR	904-1235-002	12	15, 30, 60, 75
GES3-12WW	904-1237-002	12	15, 30, 60, 75
GES3-24WR	904-1321-002	24	15, 30, 60, 75, 110
GES3-24WW	904-1319-002	24	15, 30, 60, 75, 110

**GEC3 12VDC / GEC3 24VDC Selectable Candela, Low Profile Evacuation Horn/Strobe**

Model	Part Number	Voltage (VDC)	Candela	Reverberant dBA at 10ft.	Anechoic Room dBA at 10ft.
GEC3-12WR	904-1231-002	12	15, 30, 60, 75	62-82 dBA	100 dBA
GEC3-12WW	904-1233-002	12	15, 30, 60, 75	62-82 dBA	100 dBA
GEC3-24WR	904-1317-002	24	15, 30, 60, 75, 110	62-82 dBA	100 dBA
GEC3-24WW	904-1315-002	24	15, 30, 60, 75, 110	62-82 dBA	100 dBA

R = Red Faceplate, W = White Faceplate

All units are available in plain (no lettering)  
Plain units are not returnable

ALERT and AGENT bezels available for order

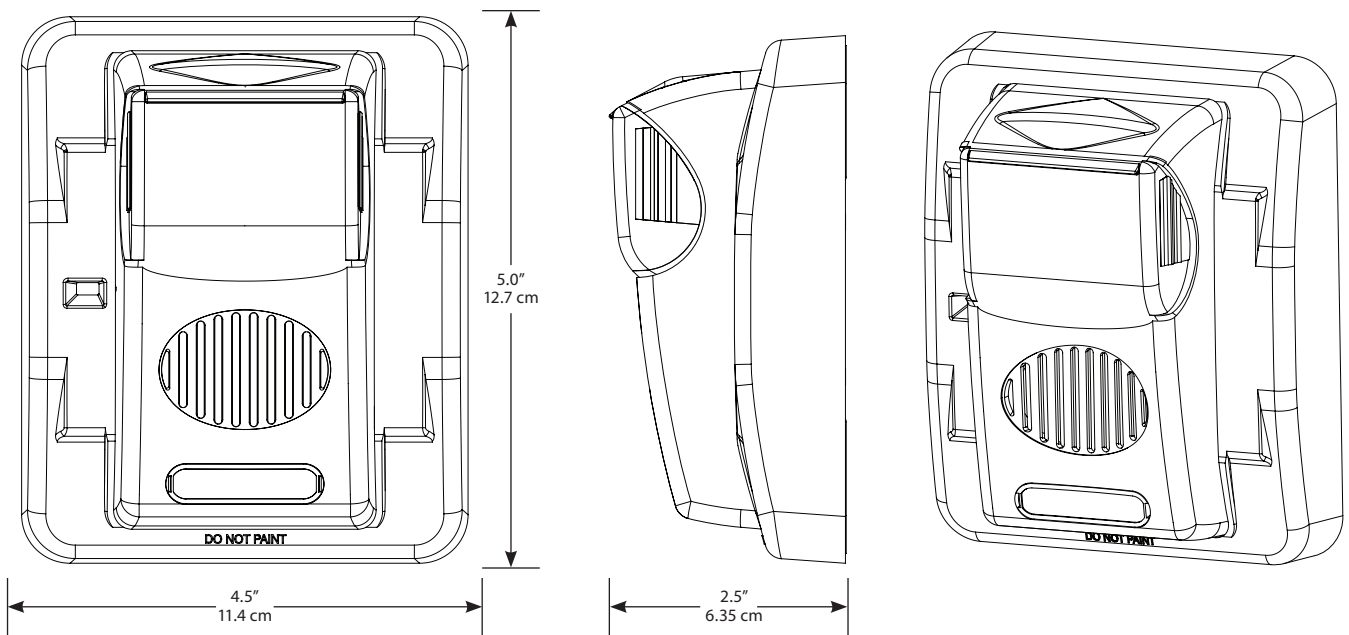
**GE3 12 VDC / 24 VDC Strobe Current Ratings (mA)**

Candela	12 VDC (8-17.5 Volts)		24 VDC (16-33 Volts)	
	12 VDC	UL Max	24 VDC	UL Max
15cd	106 mA	92 mA	30 mA	42 mA
30cd	131 mA	141 mA	42 mA	58 mA
60cd	186 mA	260 mA	66 mA	97 mA
75cd	237 mA	312 mA	80 mA	116 mA
110cd			103 mA	161 mA

**GE3 12 VDC / 24 VDC Horn Decibel (dBA) and Current Ratings (mA)**

Horn Mode	12 VDC (8-17.5 Volts)			24 VDC (16-33 Volts)		
	Horn Decibel Levels (dBA)		Horn Current Ratings (mA)	Horn Decibel Levels (dBA)		Horn Current Ratings (mA)
	Minimum SPL at 10ft., per ANSI/UL 464 (HIGH)	Minimum SPL at 10ft., per ANSI/UL 464 (LOW)	UL MAX Regulated 12 VDC Operating Current (HIGH)	Minimum SPL at 10ft., per ANSI/UL 464 (HIGH)	Minimum SPL at 10ft., per ANSI/UL 464 (LOW)	UL MAX Regulated 24 VDC Operating Current (HIGH)
Temporal 3 2400 Hz	76 dBA	69 dBA*	29 mA	78 dBA	71 dBA*	28 mA
Temporal 3 Mechanical	75 dBA	68 dBA*	26 mA	76 dBA	70 dBA*	25 mA
Temporal 3 Chime	62 dBA*	60 dBA*	13 mA	70 dBA*	66 dBA*	15 mA
Continuous 2400 Hz	79 dBA	74 dBA*	29 mA	81 dBA	74 dBA*	28 mA
Continuous Mechanical	78 dBA	72 dBA*	26 mA	80 dBA	72 dBA*	25 mA
Continuous Chime	63 dBA*	61 dBA*	13 mA	70 dBA*	66 dBA*	15 mA
Whoop	78 dBA	71 dBA*	55 MA	82 dBA	69 dBA*	56 mA

\* Operating the horn in this mode at this voltage will result in not meeting the minimum ANSI/UL 464 reverberant sound level required for public mode fire protection service. These settings are acceptable only for private mode fire alarm use. Use the high dBA setting for public mode application (not applicable when using the chime tone. The chime tone is always private mode).



## Gentex Super-Slide® Mounting Bracket

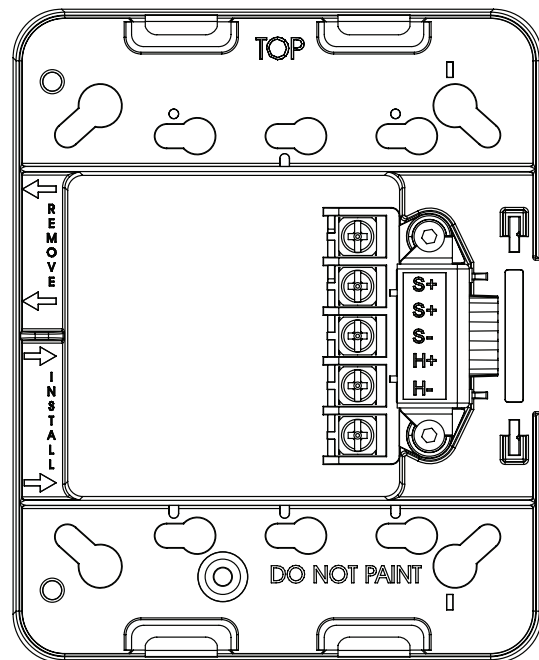
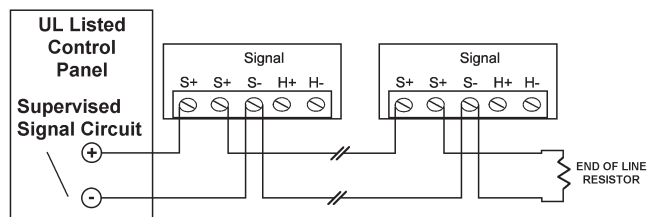
Allows the installer to prewire the system, test for system supervision, remove the signal head until occupancy, switch out Gentex signals without changing mounting brackets and has locking edge connector for snap-in-place installation.

## Gentex Checkmate® Instant Voltage Verification

It is often necessary to confirm the voltage drop along a line of devices. The access holes are provided in the back of the terminal block to allow the voltage to be measured directly without removing the device. Typically this would be done at the end of the line to confirm design criteria. Most measurements will be taken using the S+ and S- locations although access is provided to other locations. *Notice: Care should be taken to not short the test probes.*

## Notes

- Operating temperature: 32° to 120°F (0° to 49°C)
- The GES3/GEC3 Series is not listed for outdoor use
- For nominal and peak current across ANSI/UL regulated voltage range for filtered DC power and unfiltered (FWR [Full Wave Rectified]) power, see installation manual
- The sound output for the temporal 3 tone is rated lower since the time the horn is off is averaged into the sound output rating. While the horn is producing a tone in the temporal 3 mode, its sound pressure is the same as the continuous mode.
- This appliance is not recommended for use on coded or pulsing signaling circuits



# GES3 / GEC3 Series

## Selectable Candela Evacuation Signals

---

### Architect & Engineering Specifications

The audible and/or visible signal shall be Gentex GES3, GEC3 Series or approved equal and shall be listed by Underwriters Laboratories (ANSI/UL) for use with fire protective signaling systems (ANSI/UL 1971 and/or ANSI/UL 464) and with CAN/ULC S526 (24 VDC only) and/or CAN/ULC S525 (24 VDC only) with intended use in fire alarm systems. The notification appliance (GEC3) shall produce a peak sound output of 100 dBA or greater at 12 VDC or 24 VDC as measured in an anechoic chamber and shall also have the capability to silence the audible signal while leaving the visible signal energized with the use of a single pair of power wires. Additionally, the user shall be able to select either continuous or temporal tone output with the temporal signal having the ability to be synchronized. The unit shall be capable of being installed so that any unauthorized attempt to change the candela setting will result in a trouble signal at the fire alarm control panel. The audible/visible and visible signaling appliance shall also maintain a minimum flash rate of 1 Hz or up to 2 Hz regardless of power input voltage. The strobe appliance shall have an operating current of 42 mA or less at 24 VDC for the 15 Cd strobe circuit and 92 mA or less at 12 VDC for the 15 Cd strobe circuit. The appliance shall be polarized to allow for electrical supervision of the system wiring. The unit shall be provided with a mounting bracket with terminals and barriers for input/output wiring and be able to mount to a single gang or double gang box or double workbox without the use of an adapter plate. The GE3 Series shall be mounted on the wall. The unit shall have an input voltage range of 16-33 volts with either direct current or full wave rectified power at 24 VDC or a voltage range of 8-17.5 volts at 12 VDC. The appliance shall be capable of testing supervision without disconnecting wires, verify voltage without removing unit and be capable of mounting to a surface back box.