

FIREFLY T-TUBE

PRODUCT INTRODUCTION

NT18 SERIES

T-Tube NT18.042.000

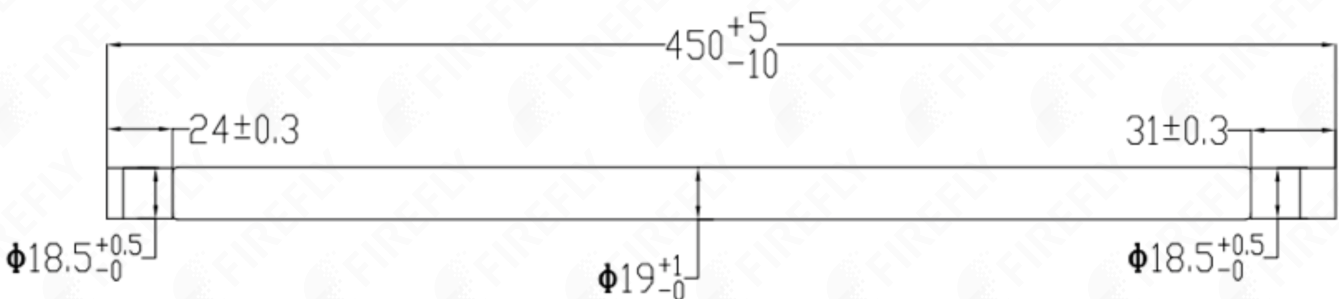
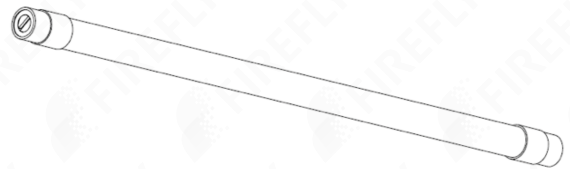
It is a full submerged automatic fire suppression product, made of special polymer thermosensitive tube and stainless steel fittings, filled with clean agent (FK5112). When the temperature of any point of the tube reaches $100 \pm 10^{\circ}\text{C}$, whether there is flame or not, the T-tube will automatically burst, and the clean agent stored in the tube sprayed instantaneously, applicable to small confined space, it can effectively detect and suppress early fire. T-tube's clean agent and main components are certified by UL, and the whole product has CE approval. Even without power supply, T-tube can also provide 24 hours of uninterrupted protection for your equipment.



Product Features and Benefits

- ★ Easy to install, mechanical, reliable; stand-alone operation, can work without power
- ★ High-cost performance value, maintenance free, low operating costs
- ★ Long shelf-life, depending on the installation environment, normal use with over 20 years
- ★ No gas storage tank needed, small installing space required
- ★ no residue, no corrosion, good insulation performance characteristics, suitable for electrical appliances and precision instruments protection.

Product size Unit : mm

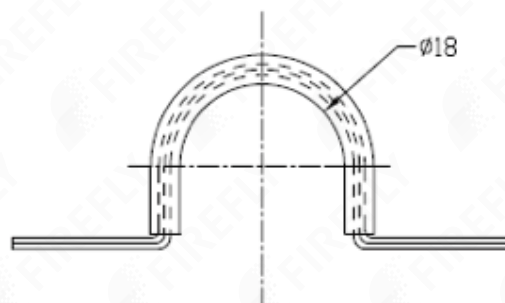


Main Parameters

Type		Parameter	Remarks
Part No.		NT18.042.000	N/A
Size (after filling)		diameter 19–20mm * length 440–455mm	N/A
Filling Pressure		16 Bar	room temperature 20°C
Amount of filled Clean Agent		0.12kg	There may be some slight differences from the actual weight
Applicable fire categories		A、B、C	NFPA 2001 Standard (Solids A Liquids B and Gases C Electrically Powered Equipment) NFPA 2001 Class C
Protective volume		0.146m ³	NFPA 2001 Standard (Solids A Liquids B and Gases C Electrically Powered Equipment) NFPA 2001 Class C
Blasting temperature		100 ± 10°C	Without optional accessories
Working Environment	Operation temperature	-20°C ~ 55°C	Without optional accessories
	Relative humidity	≤ 99% RH	N/A

Installation

Horizontal installation is recommended, fix both ends of the T-Tube with pipe codes.



Applications

Energy storage cabinet, EV charger, Electrical cabinet, Wind turbine, Data center, Power distribution cabinet, Telecom cabinet, Vehicle engine housing, Mine & Construction machine, CNC





FIREFLY GLOBAL SALES & DISTRIBUTION

FIREFLY TECHNOLOGY (HONG KONG) CO., LTD

Address: Room 2914C, 29th Floor, Ho King Commercial Centre, 2-16 Fa Yuen Street, Mong Kok, Kowloon, Hong Kong

Tel: 00852 4613 9499

Email: Firely@fire-fly.hk

Website: <http://www.fire-fly.hk>