

BANSHEE EXCEL LITE™ CHX/CHL SOUNDER BEACONS

The Banshee Excel Lite™ combines the aesthetics and performance of the Excel Sounder with either a very bright and efficient Xenon Beacon (CHX model) or a low-current LED Beacon (CHL model).

The sounder is fitted with a professional capsule driven horn and comes with 32 user-selectable tones incorporating low frequencies, high frequencies, European, American and Australian norms and all industry-standard frequency patterns.

Manufactured in flame retardant polymer, the units are available in a choice of base colours and up to 5 different lens colours, making it suitable for a range of fire and security dual notification applications as well as DDA-compliant installations. All models use the push and twist bayonet fitting BansheeMT base.

Tested and approved to EN 54 Part 3, the Banshee Excel Lite™ boasts leading acoustics, aesthetically pleasing design and low power consumption. The units are designed for ease of installation and are complemented by a wide selection of accessories to suit all applications.



FEATURES

- Available with either Xenon or LED Beacon with a red or white body
- Choice of lens colours with CPR (CHX: Red, Clear, Amber, Blue, Green / CHL: Red, Clear)
- Sounder has 32 user-selectable tones - industry standard compatible
- Very low current consumption
- EN 54-3 tested and fully approved in accordance with CPR
- LPCB approved
- Easy to install with side and rear cable entry
- Robust 'two in two out' 2.5 mm² terminals
- Choice of three volume levels
- Rated to IP 66 or IP 45
- Uses same bases as BansheeMT - simple push and twist bayonet
- Mounting with locking screw
- Extensive family of accessories for a wide range of applications
- Recyclable

SPECIFICATION

Operating Voltage (V dc):	9-30
Operating Voltage EN 54-3 (V dc):	24 (20 -28)
Tone Current Consumption (mA):	See Sound Output Table#
Sound Output (dBA Typ @1 m):	See Sound Output Table#
Tones Available:	See Sound Output Table#
Flash Current Consumption (mA): [‡]	
- @24 V dc	40 (CHX), 16 (CHL)
- @12 V dc	90 (CHX), 12 (CHL)
Light Output Rating (Cd):	TBC
Flash Rate (Per Second):	1
Body Colours:	Red or White
Temperature Range (Deg C):	-15 to +40 (CHX) -20 to +70 (CHL)
Volume Control:	High, Medium (-10 d B(A)) Low (-20 d B(A))
Environment Category / IP Rating:	Type A/IP 45 Std Base Type A/IP 66 Deep Base

[‡]Flash current consumption is additional to sounder tone current
All units meet minimum requirements of IP 21C Shallow Base and IP 33C Deep Base in accordance with EN 54-3

APPROVALS

CHL Series	2831-CFR-F1835		
CHX Series	2831-CFR-F1834		

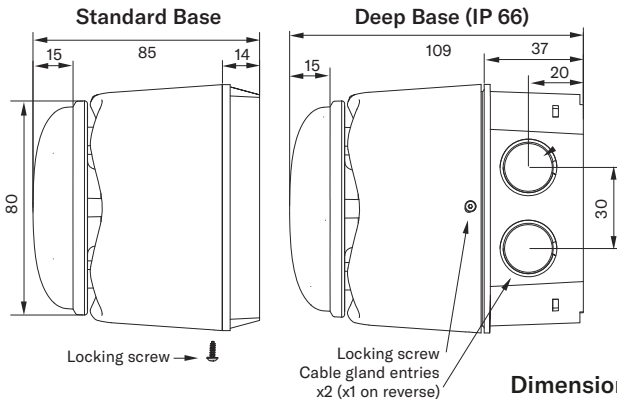
CHOICE OF LENS COLOUR:



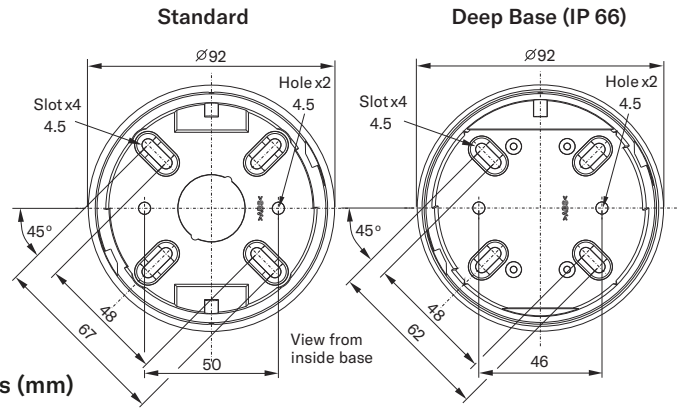
BANSHEE EXCEL LITE™ CHX/CHL SOUNDER BEACONS

INSTALLATION

BANSHEE EXCEL LITE™ CHX/CHL SOUNDER BEACON



BANSHEE EXCEL™ COMMON BASE



Sound Output Table & Tone Specification

No.	DIL SW 1 2 3 4 5	Description	Frequency and timing	2nd Ton	(12V) dBA	(24V) dBA
1	0 0 0 0	Banshee Buzz LF	800Hz to 950Hz swept at 120Hz	4	94	6 100 12
2	1 0 0 0	Banshee Fast Sweep LF*	800Hz to 950Hz swept at 9Hz	4	94	6 100 12
3	0 1 0 0	Banshee Slow Sweep LF	800Hz to 950Hz swept at 3Hz	4	94	6 100 12
4	1 1 0 0	Banshee Continuous LF	Continuous at 900Hz	4	94	6 100 12
5	0 0 1 0	Banshee Fast Sweep LF (New)	830Hz to 970Hz swept at 9Hz	4	93	6 100 12
6	1 0 1 0	Medium Sweep LF*	800Hz to 970Hz swept at 1Hz	7	94	6 100 12
7	0 1 1 0	Continuous LF	Continuous at 950Hz	7	94	6 99 13
8	1 1 1 0	Back Up Alarm LF	Intermittent at 950Hz 1 sec on, 1 sec off	4	93	6 99 14
9	0 0 0 1	Alternate LF	Alternating 800Hz/1000Hz at 1Hz	4	94	6 100 13
10	1 0 0 1	Medium Sweep LF	800Hz to 1000Hz swept at 0.5 secs	4	94	6 100 12
11	0 1 0 1	Alternate LF	Alternating Tones 800/950 at 3Hz	4	94	6 101 12
12	1 1 0 1	Banshee Buzz HF	2400Hz to 2900Hz at 120Hz	15	102	16 109 35
13	0 0 1 1	Banshee Fast Sweep HF	2400Hz to 2900Hz at 9Hz	15	103	17 110 35
14	1 0 1 1	Banshee Slow Sweep HF	2400Hz to 2900Hz at 3Hz	15	103	17 110 35
15	0 1 1 1	Banshee Continuous HF	Continuous 2900Hz*	15	103	19 109 39
16	1 1 1 1	Banshee Fast Sweep HF (New)	2450Hz to 3100Hz swept at 9Hz	15	103	18 109 36
17	0 0 0 1	Back Up Alarm HF	Intermittent at 2900Hz 1 sec on, 1 sec off*	15	103	18 109 37
18	1 0 0 1	Alternate HF	Alternating Tones 2400/2900 at 3Hz	15	104	17 110 36
19	0 1 0 1	Slow Whoop*	500Hz rising to 1200Hz over 3.5 secs, silence 0.5 sec	4	95	6 101 12
20	1 1 0 1	Din Tone (DK)*	1200Hz falling to 500Hz over 1 sec, silence 10mS, repeat	4	93	5 100 10
21	0 0 1 1	French Fire Sound*	554Hz for 100mS and 440Hz for 400mS	4	90	4 96 7
22	1 0 1 1	Australian Alert Signal	420Hz repeating 0.625 sec on, 0.625 sec off	4	89	3 94 6
23	0 1 1 1	Australian Evacuation Signal	500Hz to 1200Hz sweeping; 3.75 secs on, 0.25 secs off	4	95	6 101 12
24	1 1 1 1	US Temporal Tone LF	950Hz for 0.5 sec on, 0.5 sec off for 3 phases, silence for 1.5secs and repeat	4	93	5 99 10
25	0 0 0 1	US Temporal Tone HF	2900Hz for 0.5 sec on, 0.5 sec off for 3 phases, silence for 1.5secs and repeat	15	103	13 109 27
26	1 0 0 1	Swedish Tone (Fire)	Intermittent 660Hz 150mS on, 150mS off	26	90	3 96 6
27	0 1 0 1	Swedish Tone (All Clear)	Continuous 660Hz	27	91	5 97 9
28	1 1 0 1	ISO8201 LF	Intermittent 970Hz 500mS on, 500mS off	28	90	5 96 10
29	0 0 1 1	ISO8201 HF	Intermittent 2900Hz 500mS on, 500mS off*	29	103	13 109 27
30	1 0 1 1	BT Banshee (FPI063.1)	Yodel 800Hz/1000Hz, 0.25sec each frequency	31	94	6 100 12
31	0 1 1 1	BT Banshee (FPI063.1)	Continuous 1000Hz	31	88	6 94 14
32	1 1 1 1	Bell Tone	Bell Tone	32	94	12 99 25

Notes: *Tones highlighted in bold are approved under the Construction Product Directive; Sound output (dBA) and current (mA) values are typical.

PART NUMBERS - SPARES & ACCESSORIES

- 8502700: Mains Pack - 230 V ac input 24 V dc output
- 8502800: Cable Spacing Ring for Surface Wiring of sounder
- 8502900: Flush Mounting Ring - for Banshee Excel, Excel Lite
- 8503000: Combination bracket - for Sounders and Strobes
- 8503100: External Fixing Clip for Deep Base (avoids drilling base thus retaining IP 66 rating)
- BA87331/P: Deep Base - White, complete with 'O' Ring
- BA87341/P: Deep Base - Red, complete with 'O' Ring
- BA87351/P: Deep Base - Grey, complete with 'O' Ring

PART NUMBERS - SOUNDER

(Model-Body Col/Lens Col/ Base)

- 958CHL1000: CHL-Red/Red/Std
- 958CHL1001: CHL-Red/Red/Deep
- 958CHL1100: CHL-Red/Clear/Std
- 958CHL1101: CHL-Red/Clear/Deep
- 958CHL1500: CHL-White/Red/Std
- 958CHL1501: CHL-White/Red/Deep
- 958CHL1600: CHL-White/Clear/Std
- 958CHL1601: CHL-White/Clear/Deep
- 958CHX1000: CHX-Red/Red/Std
- 958CHX1001: CHX-Red/Red/Deep
- 958CHX1100: CHX-Red/White/Std
- 958CHX1101: CHX-Red/White/Deep
- 958CHX1200: CHX-Red/Amber/Std
- 958CHX1201: CHX-Red/Amber/Deep
- 958CHX1300: CHX-Red/Blue/Std
- 958CHX1301: CHX-Red/Blue/Deep
- 958CHX1400: CHX-Red/Green/Std
- 958CHX1401: CHX-Red/Green/Deep
- 958CHX1500: CHX-White/Red/Std
- 958CHX1501: CHX-White/Red/Deep
- 958CHX1600: CHX-White/Clear/Std
- 958CHX1601: CHX-White/Clear/Deep
- 958CHX1700: CHX-White/Amber/Std
- 958CHX1701: CHX-White/Amber/Deep
- 958CHX1800: CHX-White/Blue/Std
- 958CHX1801: CHX-White/Blue/Deep
- 958CHX1900: CHX-White/Green/Std
- 958CHX1901: CHX-White/Green/Deep

3700095 REV_0601

We reserve the right to change or amend any design or specification in line with our policy of continuing development and improvement.

Vimpex LTD
Star Lane, Great Wakering,
Essex SS3 0PJ, UK

Vimpex Interguard AB
t. +46 (0) 36 37 10 65
e. sales@vimpex.se



FIREFLY TECHNOLOGY (HONG KONG) CO., LTD

Address: Room 2914C, 29th Floor, Ho King Commercial Centre, 2-16 Fa Yuen Street, Mong Kok, Kowloon, Hong Kong
Tel: 00852 4613 9499
Email: Firely@fire-fly.hk
Website: http://www.fire-fly.hk